

# IllumiSign®

## LED backlit sign solution



Installation and  
operation manual



Reliable. Renewable. Remarkable.

## INTRODUCTION

Thank you for purchasing the IllumiSign® LED backlit sign solution, a world-class LED illumination system designed specifically for use in sign cabinets 6 to 8 inches deep. IllumiSign® provides uniform illumination with minimal power draw and provides years of reliable, trouble-free performance when installed and maintained as specified.

Years of engineering, development, and testing ensure that IllumiSign® meets or exceeds all performance and reliability specifications. Every system that leaves our factory has been tested and inspected for quality control to assure ease of installation and dependable performance. All mechanical fittings and electrical connections are designed for fast, easy installation.

There is no need to make extensive adjustments or decipher complex complicated diagrams. Simply follow the instructions below and enjoy the reliability, performance and operational savings of IllumiSign.

## CONTENTS

Section 1 General information . . . . .	3
Section 2 Installation procedures . . . . .	4
Section 3 Installation diagrams . . . . .	5
Section 4 Troubleshooting . . . . .	8
Section 5 Warranty . . . . .	back cover

## IMPORTANT WARNINGS

This Installation Manual provides instructions for installing, operating and servicing the IllumiSign®. This document must be thoroughly reviewed and understood prior to use of this equipment.

Do not discard this Installation Manual upon completion of the IllumiSign® installation, since it contains complete maintenance instructions, a troubleshooting guide and a list of spare parts.

**WARNING:**All power connections should be made by a licensed electrician.

## SECTION I: GENERAL INFORMATION

The IllumiSign® is a state-of-the-art LED light fixture for sign boxes. Its proprietary technology evenly and powerfully illuminates the sign face, ensuring optimal clarity, visibility and readability. IllumiSign® is the preferred alternative to fluorescent lighting for sign cabinets, due to the following features and benefits:

**Reliability.** Under normal operating conditions, IllumiSign® offers 65,000 hours(L70) of service life. The product is ETL listed to the UL 48 standard and is built with a rugged aluminum housing that delivers years of reliable performance.

**Efficiency.** LED technology offers higher visibility with lower energy use, no matter what your specific sign lighting requirements.

**Simplicity.** With no special wiring or electrical connections required, IllumiSign® offers true “plug-and-play” capability.

**Savings.** IllumiSign® installation is faster. Shop time for building your sign is reduced and operational costs are significantly reduced versus conventional fluorescent lighting.

NOTE: This manual provides general guidelines for the installation of the IllumiSign® LED backlit sign solution. Additional questions should be directed to your Sol lighting professional.

## Section 2: INSTALLATION PROCEDURES

The IllumiSign® LED backlit sign solution can be installed on any interior face of the sign cabinet in a matter of minutes. Depending on the brightness desired, one or multiple fixtures can be installed. Normally, only one IllumiSign® driver is required for each two IllumiSign fixtures.

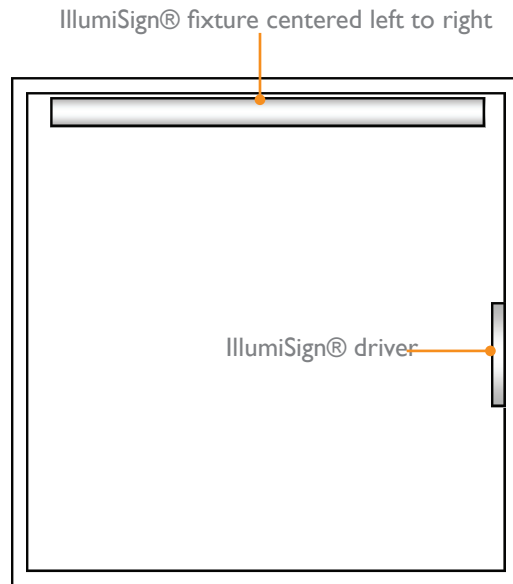
Prior to installing the IllumiSign fixture, it is important that the interior of the sign be cleaned thoroughly before and after installation of the IllumiSign fixture and driver. For optimal results, the interior of the sign should be finished in a gloss white coating.

### **To install the IllumiSign® fixture, follow these steps:**

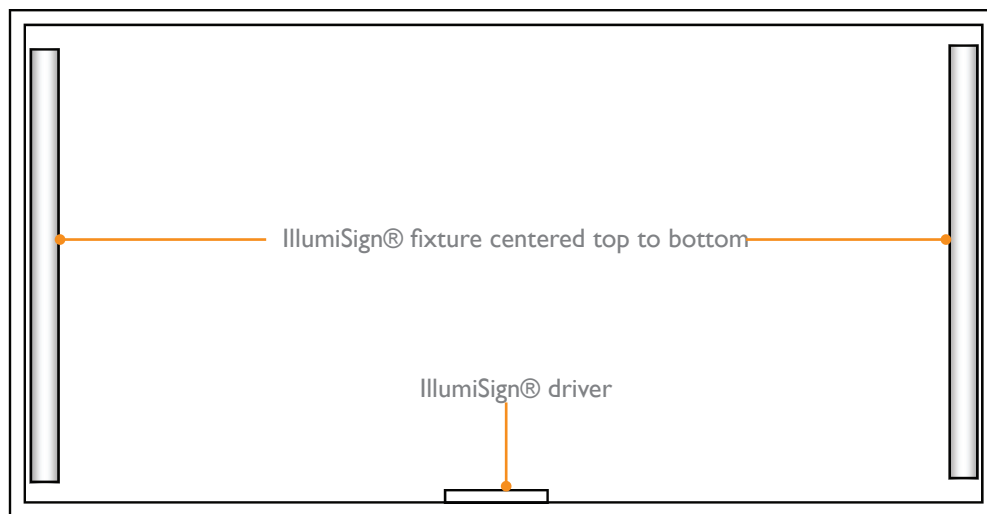
- Select the desired interior wall of the sign cabinet and mark the mounting holes in the mounting brackets.
- Drill 1/8-inch holes in the wall of the sign cabinet and secure the IllumiSign® fixture to the cabinet wall. Do the same with the IllumiSign® driver, making sure rubber washers are placed on the outside of the sign cabinet (SEE DETAIL A - page 7).
- Connect the load wire(s) from the IllumiSign® driver to each IllumiSign® fixture. Once the IllumiSign® fixture(s) and driver(s) are installed, wire the driver to a 120-volt power source.

### **To ensure problem-free installation, observe the following recommendations:**

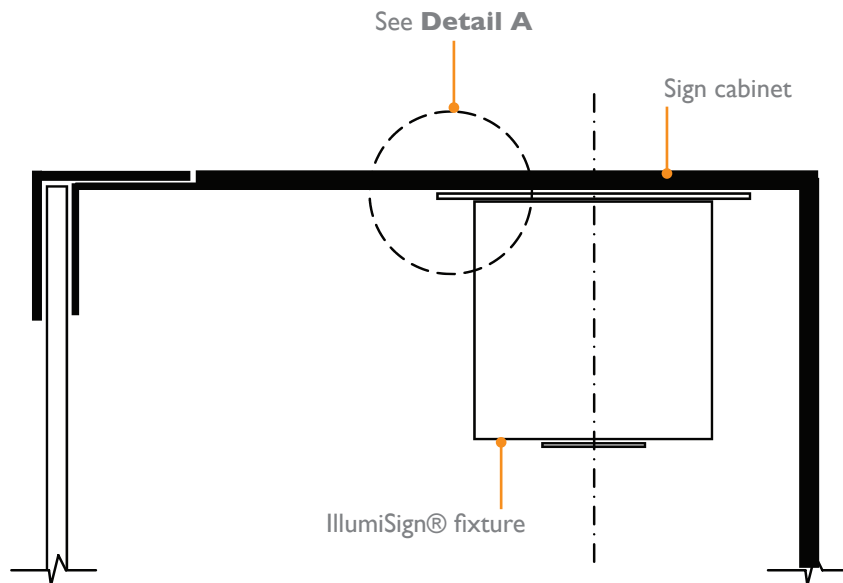
- Remove any drill shavings and other residual material before installing the IllumiSign® fixture and driver.
- Clean the inside and outside sign faces after installation is complete.
- Keep the any wiring and connections close to the sign cabinet wall.
- Gather and tie-wrap any excess wire and position it near the sign cabinet side wall.
- After connecting the IllumiSign® driver to the power source, bend the wires and wire nuts toward the sign cabinet wall.
- Make sure there is no strain on the main supply lead to the IllumiSign® driver by using a rugged cable grip in the sign cabinet design.
- Make sure the IllumiSign® fixture is positioned so that the direction of the light is parallel to the sign face.



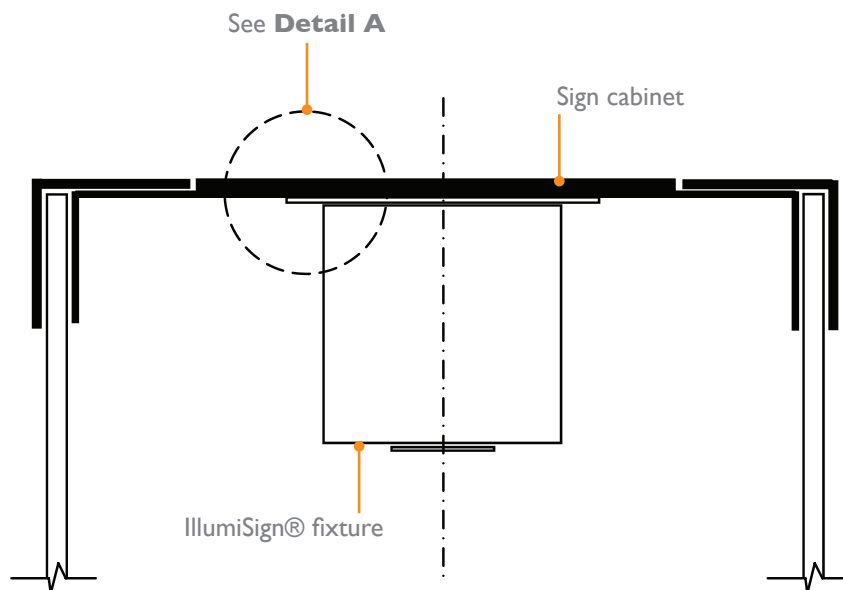
**FIGURE 1** TYPICAL 4' X 4' SIGN



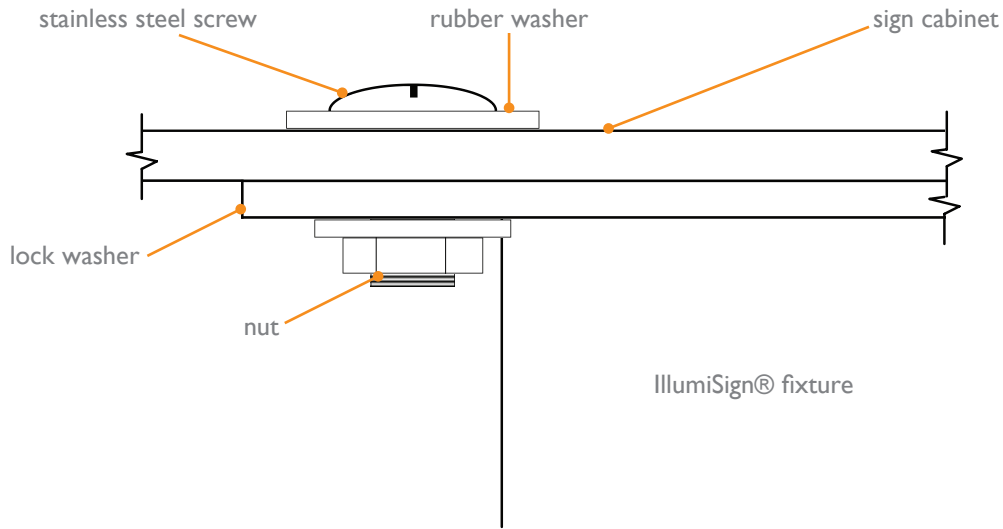
**FIGURE 2** TYPICAL 4' X 8' SIGN



**FIGURE 3** TYPICAL SINGLE-SIDED SIGN SECTION



**FIGURE 4** TYPICAL DOUBLE-SIDED SIGN SECTION



**DETAIL A**

## Section 4: TROUBLESHOOTING

PROBLEM	POSSIBLE CAUSE
Lights do not come on	<ul style="list-style-type: none"> <li>• Breaker not turned on</li> <li>• Driver power wire loose</li> <li>• Fixture plug loose</li> </ul>
Lights do not stay on	<ul style="list-style-type: none"> <li>• Driver power wire loose</li> <li>• Fixture plug loose</li> </ul>
One or more LEDs are out	<ul style="list-style-type: none"> <li>• Faulty fixture circuit: Contact Sol factory representative.</li> </ul>

## Section 5: WARRANTY

Sol Inc. offers one of the best warranties in the industry. Sol products are guaranteed to work as specified for five (5) years from the date the product is shipped from Sol's factory. Sol will provide a replacement for any component that fails during the five years at no cost to the Purchaser.

Sol's complete warranty coverage is summarized as shown below.

ITEM	WARRANTY PERIOD
IllumiSign® fixture	Ten (10) Years
IllumiSign® driver	Ten (10) Years

During the 10 year warranty period, Sol Inc. will provide the replacement for any component that fails F.O.B. Sol's factory. For third-party products the original manufacturer's warranties apply.

Warranties are subject to purchaser using the equipment in the manner and for the purpose for which it was intended. The product must be installed properly, with no unauthorized adjustments.

Damage caused by lightning strikes is not covered under warranty. The use of electrical components not supplied by Sol Inc. voids any of the above warranties.

Sol Inc. reserves the right to substitute like or better components in its equipment to improve product to perform equally or better under the same guarantees.



Reliable. Renewable. Remarkable.

Sol Inc. | Palm City, Florida | 772.286.9461  
info@solarlighting.com | www.solarlighting.com

**IllumiSign signage systems from Sol**  
On or off the grid. Your message. Your choice.