



LUMINAIRE TESTING LABORATORY, INC.

SUSTAINING
MEMBER
of the
IESNA

905 Harrison Street · Allentown, PA 18103 · 610-770-1044 · Fax 610-770-8912 · www.LuminaireTesting.com

LTL NUMBER: 19134

DATE: 05-24-2010

PREPARED FOR: SOL, INC.

CATALOG NUMBER: MET-Q2-022-T5

LUMINAIRE: SPUN BLACK ENAMEL ALUMINUM HOUSING WITH WHITE PAINTED INTERIOR, MOLDED SPECULAR PLASTIC REFLECTORS, CLEAR PRISMATIC PLASTIC REFRACTOR.

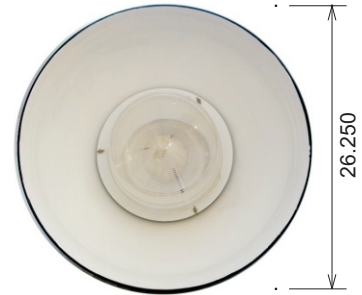
LAMP: EIGHT WHITE LEDS

LED POWER SUPPLY: ONE SOL aiSUN SC-300 (22W)

ELECTRICAL VALUES: 13.00VDC, 1.5877A, 20.64W

LUMINAIRE EFFICACY: 69.0 LUMENS/WATT

NOTE: THIS TEST WAS PERFORMED USING THE CALIBRATED PHOTODETECTOR METHOD OF ABSOLUTE PHOTOMETRY.*



IES CLASSIFICATION: **TYPE I**
LONGITUDINAL CLASSIFICATION: **SHORT**
CUTOFF CLASSIFICATION: **FULL-CUTOFF**

**CUTOFF DESIGNATION IS NOT DEFINED FOR ABSOLUTE PHOTOMETRIC TESTS. THIS CUTOFF RATING IS BASED ON THE MAXIMUM CANDELA READING PER LUMINAIRE RATED AT 1000 LUMENS.



FLUX DISTRIBUTION

LUMENS	DOWNWARD	UPWARD	TOTALS
HOUSE SIDE	710.19	0.00	710.19
STREET SIDE	713.47	0.00	713.47
TOTALS	1423.66	0.00	1423.66

Approved By: MG

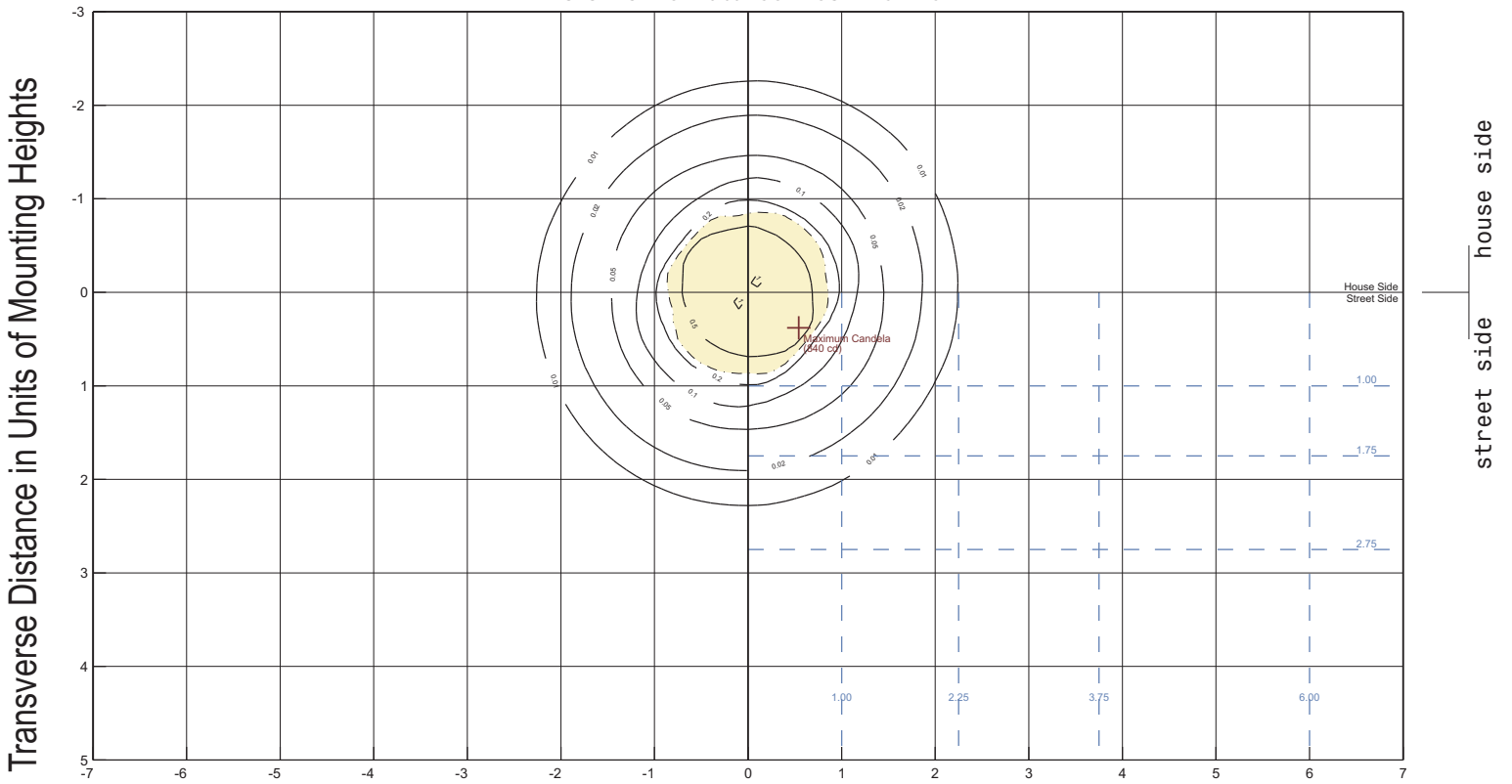
*DATA WAS ACQUIRED USING THE CALIBRATED PHOTODETECTOR METHOD OF ABSOLUTE PHOTOMETRY. A UDT MODEL #211 PHOTODETECTOR AND UDT MODEL #S370 OPTOMETER COMBINATION WERE USED AS A STANDARD. A SPECTRAL MISMATCH CORRECTION FACTOR WAS EMPLOYED BASED ON THE SPECTRAL RESPONSIVITY OF THE PHOTODETECTOR AND THE SPECTRAL POWER DISTRIBUTION OF THE TEST SUBJECT.

TESTING WAS PERFORMED IN ACCORDANCE WITH IES LM-79-08.
TEST ANGULAR INCREMENTS AND REPORT FORMATTING WAS BASED ON IES LM-31-95.



ISOFOOTCANDLE LINES OF HORIZONTAL ILLUMINATION

VALUES BASED ON 25.00 FOOT MOUNTING HEIGHT



Longitudinal Distance in Units of Mounting Heights

PROJECTION OF HALF-MAX CANDELA CONTOUR



CANDELA DISTRIBUTION

Table with 12 columns (0-90) and 25 rows (180-0) showing Candela Distribution values.



CANDELA DISTRIBUTION

Table with 10 columns (95, 105, 115, 125, 135, 145, 155, 165, 175, 180) and 21 rows (180, 175, 165, 155, 145, 135, 125, 115, 105, 95, 90, 87.5, 85, 82.5, 80, 77.5, 75, 72.5, 70, 67.5, 65, 62.5, 60, 57.5, 55, 52.5, 50, 47.5, 45, 40, 35, 33.5, 30, 25, 20, 15, 10, 5, 0). Values represent candela distribution for various beam angles.



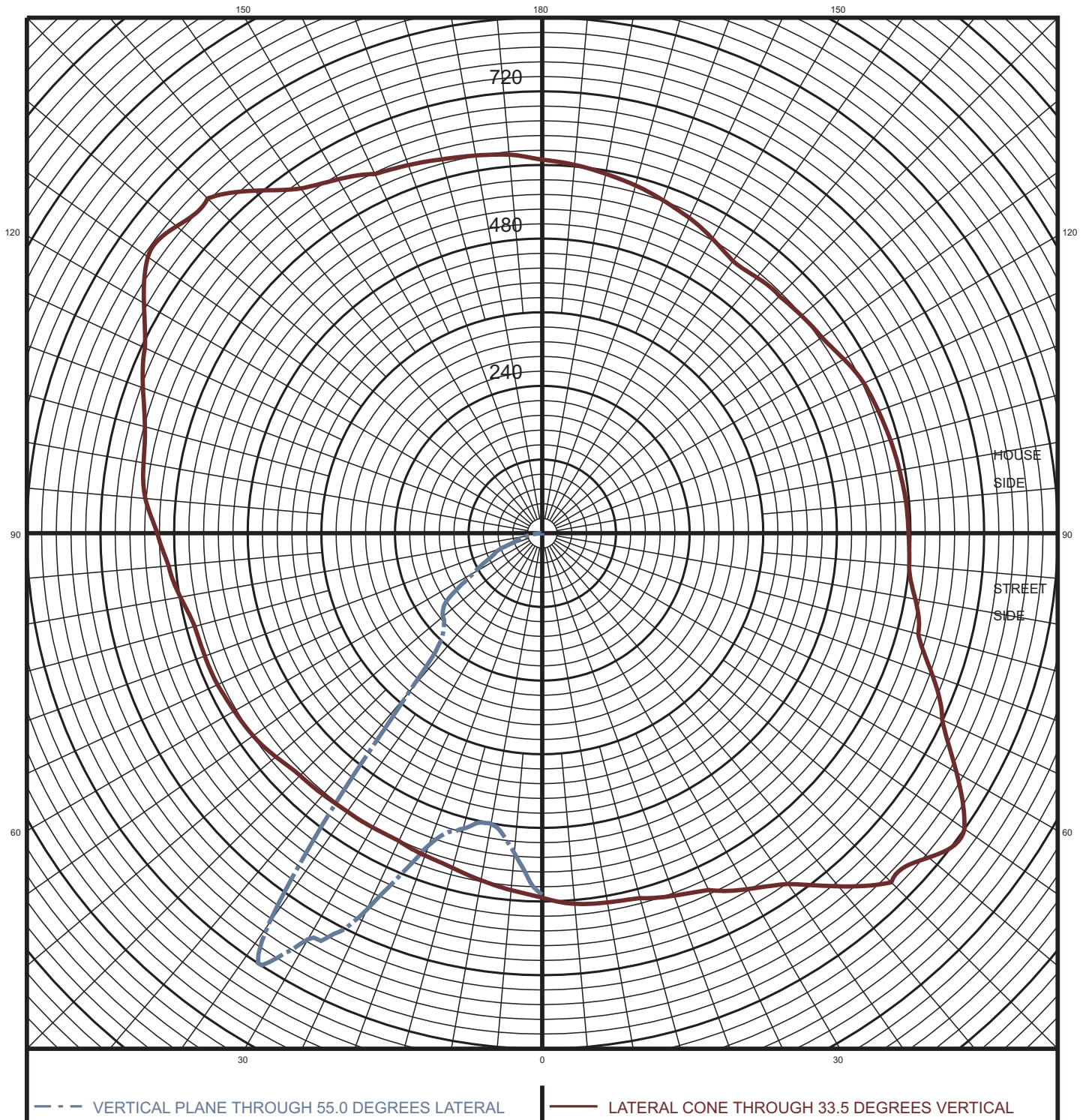
Table with 11 columns (185-270) and 21 rows (180-0) containing numerical data.



	275	285	295	305	315	325	335	345	355
180	0	0	0	0	0	0	0	0	0
175	0	0	0	0	0	0	0	0	0
165	0	0	0	0	0	0	0	0	0
155	0	0	0	0	0	0	0	0	0
145	0	0	0	0	0	0	0	0	0
135	0	0	0	0	0	0	0	0	0
125	0	0	0	0	0	0	0	0	0
115	0	0	0	0	0	0	0	0	0
105	0	0	0	0	0	0	0	0	0
95	0	0	0	0	0	0	0	0	0
90	0	0	0	0	0	0	0	0	0
87.5	4	4	4	4	4	4	4	4	4
85	11	12	12	12	12	12	12	12	12
82.5	18	19	19	19	19	19	19	19	19
80	27	27	27	27	28	28	28	27	27
77.5	33	34	34	35	35	35	35	34	34
75	41	41	42	42	42	43	42	41	41
72.5	49	50	51	52	52	53	52	51	50
70	65	66	67	68	69	69	68	68	67
67.5	86	86	87	88	90	90	89	89	87
65	103	105	107	109	111	112	110	109	107
62.5	121	123	125	128	131	131	129	127	124
60	138	139	143	146	148	147	146	142	138
57.5	156	159	162	165	170	169	165	161	157
55	178	184	192	199	204	204	198	190	182
52.5	202	218	232	234	233	234	234	233	217
50	239	264	268	261	262	265	262	267	264
47.5	290	300	293	289	289	290	291	295	302
45	334	327	322	326	329	331	333	332	337
40	428	414	443	490	510	507	486	454	440
35	572	559	562	556	550	547	536	541	547
33.5	611	587	584	575	558	554	553	564	584
30	618	592	572	542	526	525	542	555	590
25	610	612	613	604	588	584	592	612	624
20	547	568	603	630	639	633	632	618	588
15	512	544	574	624	741	732	616	570	548
10	518	541	583	658	725	716	635	574	539
5	620	654	678	701	705	700	683	647	612
0	589	589	589	589	589	589	589	589	589



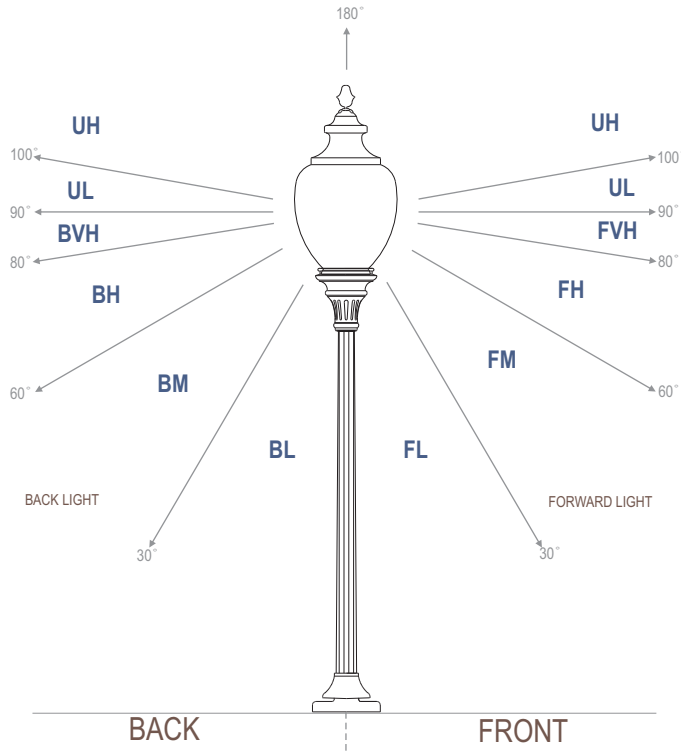
MAXIMUM PLANE AND CONE PLOTS OF CANDELA





FLUX DISTRIBUTION TABLE BASED ON THE IESNA LUMINAIRE CLASSIFICATION SYSTEM

FLUX



ZONE	LUMINAIRE LUMENS	% OF LUMINAIRE LUMENS
FORWARD LIGHT	713	50.1
FL (0°-30°)	252	17.7
FM (30°-60°)	383	26.9
FH (60°-80°)	73	5.1
FVH (80°-90°)	6	0.4

BACK LIGHT	710	49.9
BL (0°-30°)	250	17.5
BM (30°-60°)	384	27.0
BH (60°-80°)	71	5.0
BVH (80°-90°)	6	0.4

UPLIGHT	0	0.0
UL (90°-100°)	0	0.0
UH (100°-180°)	0	0.0

TRAPPED LIGHT	NA	NA
---------------	----	----

BUG (Backlight, Uplight, Glare) Rating	
Asymmetrical Luminaire Types (Type I, II, III, IV)	B1 U0 G0
Quadrilateral Symmetrical Luminaire Types (Type V, Area Light)	B1 U0 G0