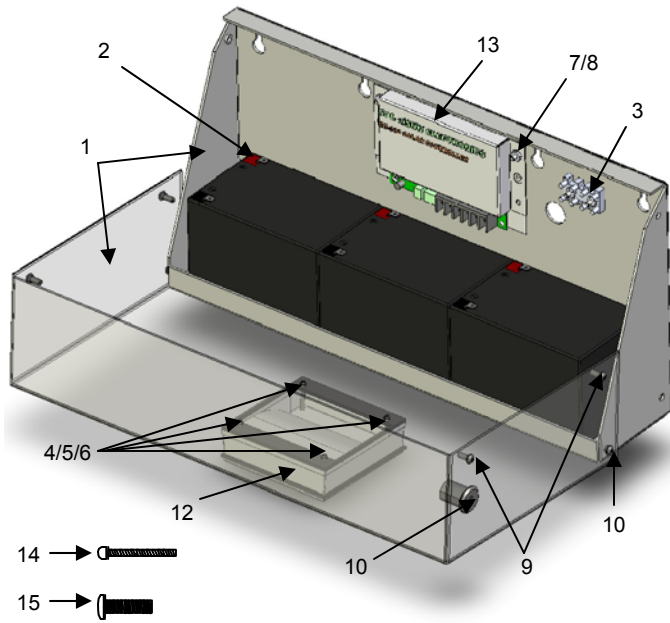
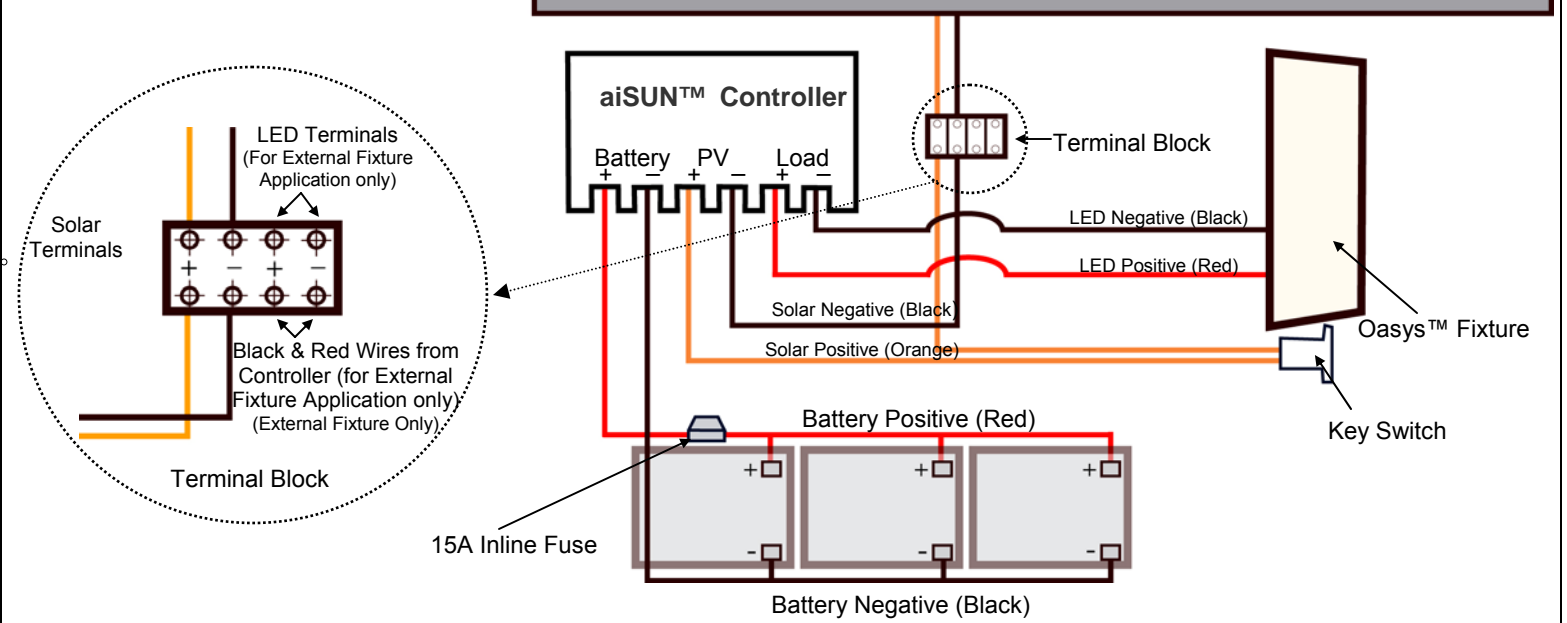


1. Assembly Drawing / Parts List

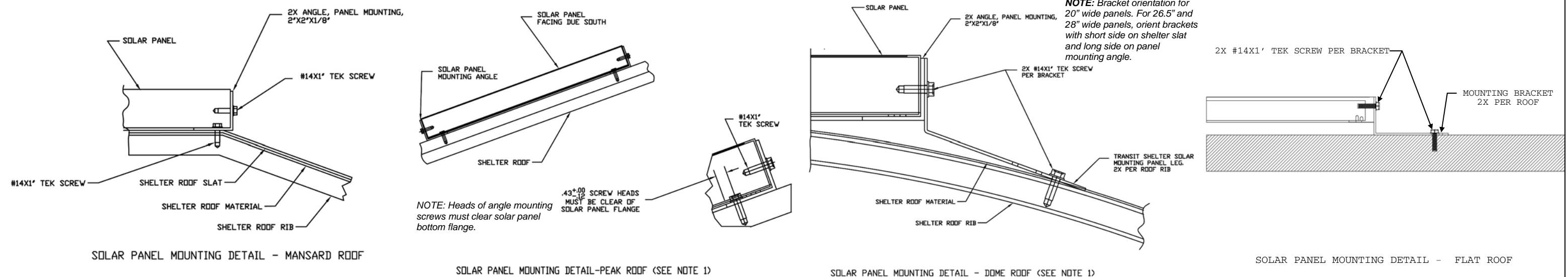


Parts List			
Item	Qty	Part Number	Description
1	1	910002-100	Enclosure
2	3	86002-003	Battery 12V 12aH
3	1	96014-007	Terminal Block, 4 Circuit
4	4	WFA#6	Washer, #6 SS Flat
5	4	WEXTLW#6	Washer, #6 Ext Lock
6	4	NHS6-32	Nut, #6-32 SS Hex
7	2	WFS#8	Washer, #8 SS Flat
8	2	NHS8-32	Nut, #8-32 SS Hex
9	4	BSHCS10-32X.50	Bolt, #10-32 X 1/2" Button Socket
10	1	897005-001	Switch, Lock, Oasis
11	2	Headed Pin	
12	1	997000-100	Assy, Fixture, Oasis
13	1	855000-100	Assy, Controller, aiSUN
14	4	SS HWH14X.50	Tek Screw #14 x 1/2" (Mounting)
15	2	SS HWH14X1	Tek Screw #14 x 1" (Remote LED)

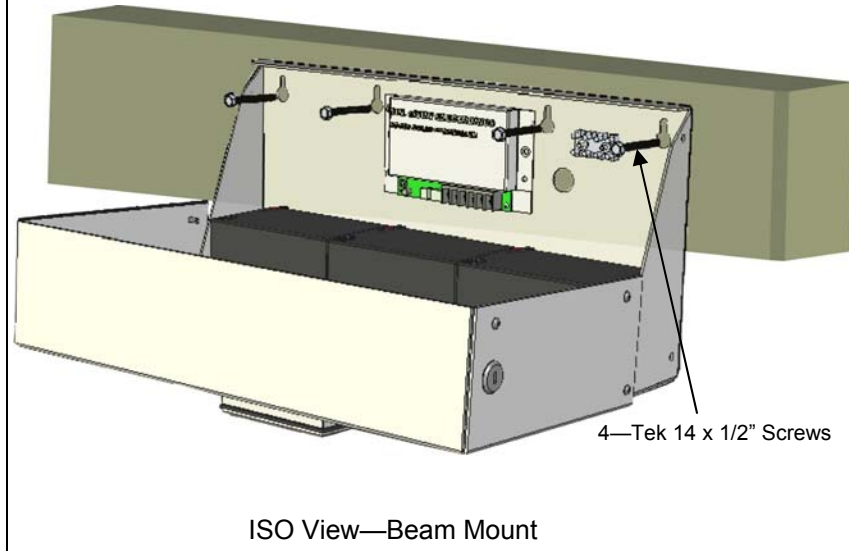
2. Oasis™ Wiring Diagram



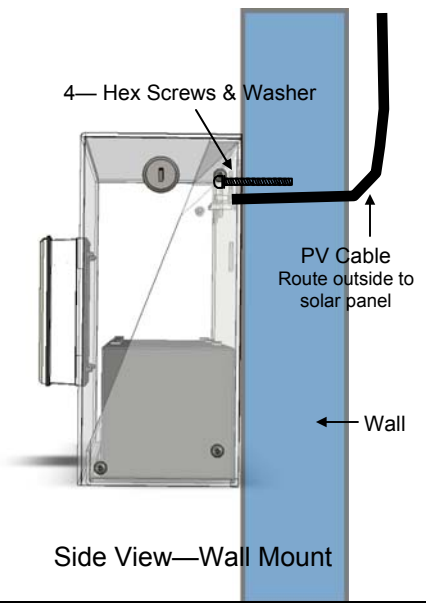
3. Solar Panel Mounting Details - Types



4. Mounting the Oasis™ Unit

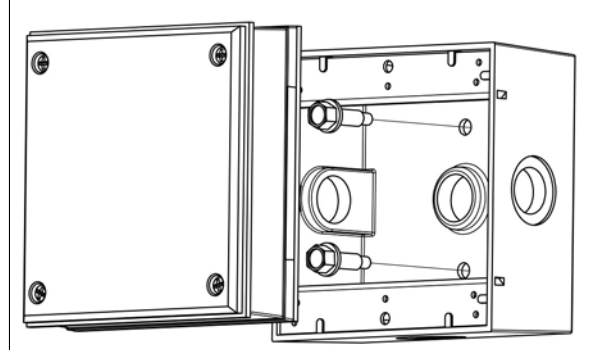


- Using tek screws, mount Oasis™ unit onto beam ensuring that unit is 1" below top of beam (allowing access when front panel is opened).
- Run PV cable to pv panel and connect pv cable quick connect plugs together.
- Test system by pressing aiSUN™ controller test button in unit.

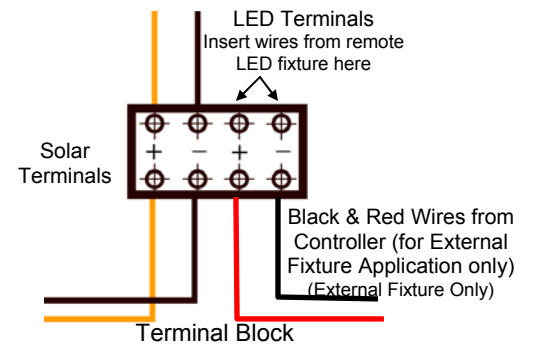


- Using tek screws, mount onto wall.
- Drill hold for pv cable to run through.
- Connect pv cable quick connect plugs together.
- Test system by pressing aiSUN™ controller test button in unit.

5. Installing A Remote LED Fixture



- Install Oasis unit as instructed in step 4.
- Install remote LED fixture in desired location by removing cover on LED and mount junction box using tek screws.
- Return cover. Connect end of LED cable to LED terminal in terminal block inside Oasis unit—see wiring diagram above.
- Test system—press test button on aiSUN™ controller in unit.
- See Troubleshooting for more info.



PROBLEM	POSSIBLE CAUSE	SOLUTION
Light doesn't come on at all.	Battery voltage < 10.5 V.	Replace batteries.
	Battery voltage 10.5 V – 11.7 V	System in low voltage. Disconnect & recharge battery voltage after several days of good weather
	Fuse blown	Check & replace fuse
	Too much ambient light.	Site may not be suitable for solar lighting.
	Faulty controller.	Unplug solar, see if lights come on after 5 minutes +/-, if light fails to come on, replace controller.
Light doesn't stay on all night.	Batteries not holding charge.	Check & replace batteries
	Severe weather issues causing system to go into low voltage disconnect.	Recheck systems after several days of good weather (to charge system).
	Low battery voltage caused by shading of the solar panel.	Clear tree branches and other obstructions from the vicinity of the solar panel.
	Solar panel shade or dirty.	Remove items shading solar panel. Clean solar panel.
One LED light not working.	LED burnt out.	Replace LED.
Fuse keeps blowing- system doesn't work.	System Short.	Check all system wiring for shorts, check polarity.

Troubleshooting

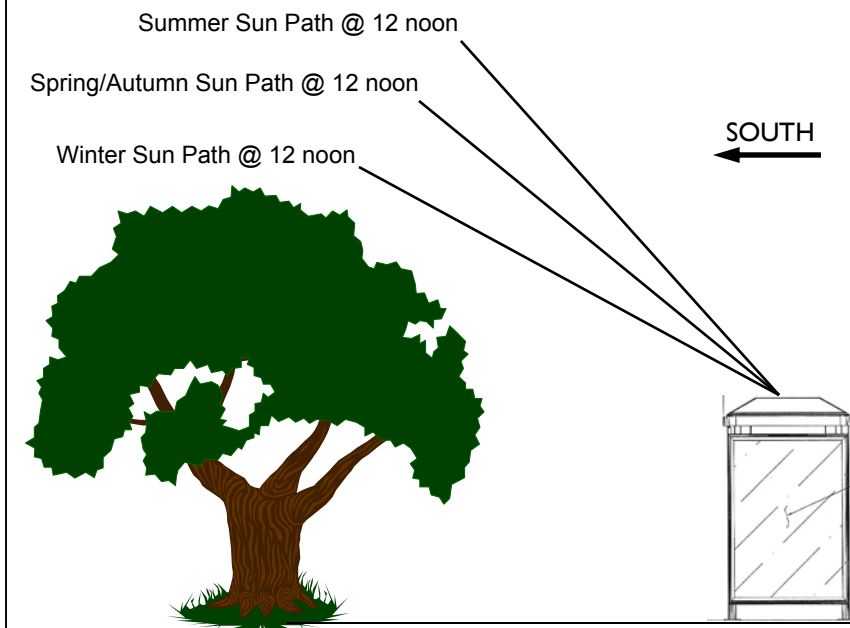
Site Selection and Preparation

Locate the solar panel(s) for the Oasys™ System in an area where it is not shaded by trees, poles, buildings, or other objects during the day. *Do not locate the solar panels in an area where there is excessive ambient or reflected light at night which may simulate daylight and cause the system controller to turn off the system.*



IMPORTANT Installing the Sol Oasys™ Shelter Light in a location where the solar panel is shaded during part of the day will prevent the solar panel from fully charging the battery, reducing the hours of nighttime illumination and possibly damaging the battery.

If the Sol Oasys™ Shelter Light is installed near a tree, check the tree branches every three months and trim when needed.

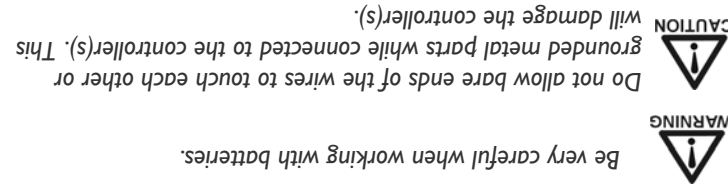


Install the Sol Oasys™ Shelter Light in accordance with all applicable building codes. Though designed for ease of installation, it is recommended that the Sol Oasys™ Shelter Light be installed by a licensed electrician.

The Sol Oasys™ Shelter Light is shipped as a complete kit. Prior to assembly, remove the entire contents of the kit from the packaging and check the contents of the kit against the Parts List.

Please call Sol Customer Service at 772-286-9461 if any components or hardware are missing.

Important Notes



This installation and instruction manual provides installation, operation, and maintenance instructions for the Sol Oasys™ Shelter Light. The entire contents of this manual should be thoroughly reviewed and understood prior to installing this equipment. Do not discard this manual. It contains complete maintenance instructions, a troubleshooting chart, and a spare parts list. To insure proper operation of this equipment, it is important that the equipment be utilized for its intended use. Any use of this equipment for purposes other than those intended will void all warranties. Be very careful when working with batteries. Do not allow bare ends of the wires to touch each other or grounded metal parts while connected to the controller(s). This will damage the controller(s).

A Returned Merchandise Authorization (RMA) number must be obtained from Sol, Inc. before equipment can be returned for repair or replacement under warranty.



To obtain an RMA, simply send an e-mail to rma@solarlighting.com. Be sure to include the information outlined below.

We require the following information before we can issue an RMA number:

- Model Number of the product being returned
- Serial Number of the product being returned
- A description of the problem
- The address to which the repaired or replaced product is to be shipped

Equipment being returned must be properly packaged to protect it from damage during shipment. Shipping costs and insurance to Sol, Inc. are the responsibility of customer.

Upon verification of failure due to defects in materials or workmanship, we will either repair or replace the product at our discretion. The customer will be responsible for all shipping and handling charges for any equipment that is sent to Sol, Inc. in error (no definable problems).

For Warranty Info visit www.solarlighting.com

Sol Inc. | 3210 SW 42nd Avenue | Palm City, Florida 34990
www.solarlighting.com
 E-mail support: support@solarlighting.com
 Phone: +1-772-286-9461 | Fax: +1-772-286-9616
 Office Hours: Monday - Friday: 8:30 am to 5:00 pm (EST)

Introduction

Thank you for purchasing the patented Sol Oasys™, an off-grid, solar-powered shelter lighting system. Years of engineering, development, and testing ensure that this system meets or exceeds all performance and reliability specifications. Every system that leaves our factory has been quality control tested and inspected to assure you of an easy installation and highly dependable performance. All mechanical fittings and electrical connections are designed for simple and reliable installation. The Sol Oasys™ Shelter Light is ready for use immediately after the components are mounted and the electrical connectors are joined.

Oasys™ Solar LED Shelter Lighting System



Quick Install Manual

