

TP Mount For Triple or Quad Panel Systems

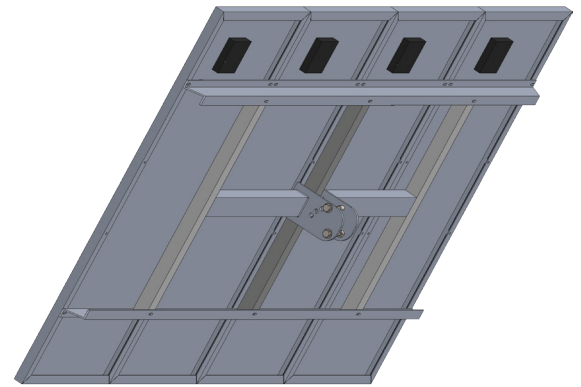
FEATURES

- Adjustable mounting bracket for 3 or 4 top of pole mounted pv modules.
- All aluminum design.
- Stainless steel fasteners.
- Wind load design for 140 MPH.
- Mates directly to SOL Inc.'s Tenon adaptor to minimize drilling.



SPECIFICATIONS

- Constructed of 5052-H32 aluminum.
- Adjustable mounting angles: 5, 15, 15°, 30, 45, and 60° for optimal solar collection.
- Available powdercoated color for system coordination (Bronze, White, Black) or Natural "Mill Finish" Aluminum.



DATA

Triple Panel Bracket

77.85" L x 37.50" W
1977.39 mm x 952.50 mm

Net weight: 34 lbs.
15.42 kg

Quad Panel Bracket

103.92" L x 37.50" W
2639.57 mm x 952.50 mm

Net weight: 50 lbs.
22.68 kg

